

TAKSTAR® 得胜



SG-6240YZ

IP网络防水音柱

IP Network Waterproof Column Speaker

使用说明

User Manual

SG-6240YZ IP网络防水音柱

■ 前言

感谢您选购得胜SG-6240YZ IP网络防水音柱,为了您能够更好地了解使用本产品,建议您在使用前仔细阅读本说明书。

若存在有疑问或者您有宝贵的建议,可通过拨打得胜官方服务热线400 6828 333或微信扫描二维码关注得胜官方公众号与我们联系。



■ 产品特性

- 采用嵌入式PC技术和DSP音频处理技术设计:内置嵌入式网络语音解码模块,完成网络音频流的同步接收和解码;采用高速工业级ARM芯片,启动时间达到毫秒级;提高设备使用稳定性;
- 内置嵌入式网络语音解码模块;
- 具有独立IP地址,可以单独接收服务器的个性化定时播放节目;
- 高品质的数字音频传输传输,无噪音,音质达到CD级(音频文件位速为32-320kbps自适应);
- 具备智能电源管理功能,设备采用内置CPU判断功放的运行状态,在无工作状态时功放自动进入休眠状态,待机功率 $\leq 0.2W$,当有播放任务时,功放自动启动;
- 带有远程音量调节功能,终端在自动启动和播放任务的时候,自动将音量调节到系统设定的默认状态。音量自动调节默认值分别可制定为背景音乐音量、紧急广播音量和消防广播音量等;
- 通过网络任意接收来自服务器的广播节目,包括话筒寻呼、消防警报自动强插、电话寻呼等;
- 一线多用:充分利用现有网络资源,避免重复架设线路,兼容TCP/IP网络协议,可挂载在以太网网络到达的任何地方,真正实现广播、计算机、监控网络等的多网合一,支持跨网关、跨路由、互联网传输。通过网络联机设定IP地址及网络配置等;
- 设有IP地址复位升关,复位可恢复出厂设置。

SG-6240YZ IP网络防水音柱

■ 适用范围

商超、校园、酒店、公园、监狱、大型商业综合体等场所

■ 包装清单

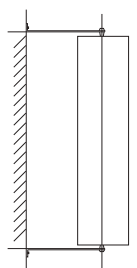
防水音柱.....	1台
支架.....	1套
说明书.....	1份

■ 技术参数

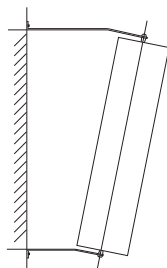
- 额定功率 (AES) :240W
- 灵敏度:92dB
- 最大声压级:116dB
- 信噪比:≥90dB;话筒:≥88 dB
- 频率响应:70Hz-15KHz
- 喇叭单元:6"×5+1内磁号角高音
- 设备尺寸:206*140*1185mm
- 网络接口:RJ45、10M/100
- 网络协议:TCP/IP、UDP
- 音频格式:MP3
- 支持码流:32K-320Kbps
- 频带宽度:20Hz-20KHz
- 供电:24V5A
- 待机功率:0.2W

注:以上数据由得胜实验室测试得到,并拥有最终解释权!

■ 安装示意

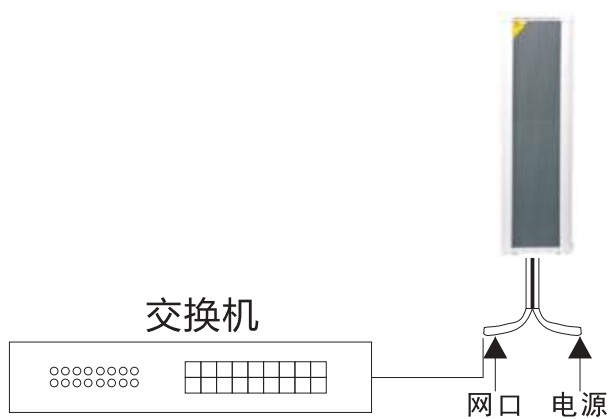


安装高度小于2米



安装高度高于2米

■ 基本连接



■ 安全警示

为避免电击、高温、着火、辐射、爆炸、机械危险以及使用不当等可能造成的人身伤害或财产损失,使用本产品前,请仔细阅读并遵守以下事项:

1. 使用产品时请确认所连设备与本产品是否匹配以及合理调整音量大小,不要在超过产品功率及大音量下长时间使用,以免造成产品异常;
2. 使用中若发现有异常(如冒烟、异味等),请立即关闭电源开关并拔掉电源插头,然后将产品送售后服务网点检修;
3. 消费者若使用电源适配器供电,则应购买配套使用获得CCC认证并满足标准要求的电源适配器;
4. 本产品及附件都应放置在室内干燥通风处,请勿长期存放在潮湿、灰尘多的环境,使用中避免靠近火源、雨淋、进水、过度碰撞、抛掷、振动本机及覆盖通风孔,以免损坏其功能;
5. 使用该产品时需遵守相关安全规定,法律法规明确禁止使用场合请勿使用本产品,以免导致意外事故;
6. 请不要自行拆机改装或维修,以防止出现人身伤害,如有问题或服务需求请联系当地售后服务网点跟进处理。

SG-6240YZ IP Network Waterproof Column Speaker

■ Preface

Dear Customer,

Thank you for purchasing our product. Read this manual thoroughly to use the product properly.

If you have any questions or suggestions, please contact our local sales service.

■ Features

- Utilizes embedded PC tech, DSP audio processing, and industrial-grade ARM chip for rapid startup and enhanced stability.
- Built-in network audio decoding module.
- Independent IP address, receives custom scheduled broadcasts directly from the server.
- Delivers high-fidelity CD-quality digital audio with an adaptive bitrate of 32-320kbps, ensuring noise-free playback.
- Smart power management, auto sleep mode during inactivity, maintaining low standby power ($\leq 0.2W$) and waking for playback tasks.
- Remote volume control, auto adjust volume (BGM, emergency, fire alarm) to pre-set system levels upon automatic startup and playback tasks.
- Receives diverse broadcast programs over the network, including intercom and emergency alerts.
- Single-cable solution, leverages existing network infrastructure, compatible with TCP/IP for seamless integration across broadcasting, computing, and monitoring systems.
- IP reset switch to restore factory settings.

SG-6240YZ IP Network Waterproof Column Speaker

■ Application

Shopping malls, campuses, hotels, parks, prisons, community announcements, and large commercial complexes.

■ Package Contents

- 1 × Waterproof Column Speaker
- 1 × Mounting Bracket Set
- 1 × User Manual

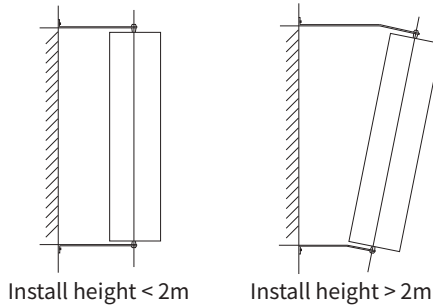
■ Technical Specifications

- Rated Power (AES): 240W
- Sensitivity: 92dB
- Maximum Sound Pressure Level: 116dB
- Signal-to-Noise Ratio: ≥ 90 dB; Mic: ≥ 88 dB
- Frequency Response: 70Hz - 15KHz
- Driver: 6" × 5 + 1 internal magnet horn tweeter
- Dimensions: 206*140*1185 mm
- Network Interface: RJ45, 10M/100M
- Network Protocols: TCP/IP, UDP
- Audio Format: MP3
- Supported Bit Rate: 32K - 320Kbps
- Bandwidth: 20Hz - 20KHz
- Power Supply: 24V5A
- Standby Power: 0.2W

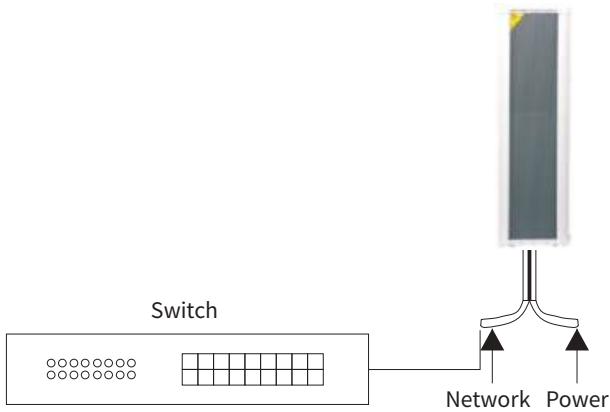
Note: The above data are measured by Takstar laboratory which has the final interpretation right!

SG-6240YZ IP Network Waterproof Column Speaker

■ Installation Diagram



■ Basic Connection



■ Safety Instructions

To avoid electric shock, overheat, fire, radiation, explosion, mechanical risk and injury or property loss due to improper use, please read and observe the following items before use:

1. Please check if the power of the connected equipment matches with that of this product before operation. Adjust the volume to proper level during operation. Do not operate at over-power or high-volume level for extended time to avoid product malfunction.
2. If there is any abnormality during use (e.g., smoke, strange odor), please kill the power switch and unplug from power source, then send the product to the local after-sales service for repair.
3. Power adapter used, if any, should be approved by CCC certification or similar standards and comply with the power supply requirements.
4. Keep this product and its accessories in a dry and ventilated area. Do not store in a humid or dusty area for extended time. Keep away from fire, rain, liquid intrusion, bumping, throwing, vibrating, or from blocking any ventilation openings, to prevent malfunction.
5. Please abide by safety rules during operation. Do not use the product in places prohibited by laws or regulations to avoid accident.
6. Do not disassemble or repair the product without authorization to avoid injury. If you have any questions or require any services, please contact our local after-sales service.

产品服务保证书

姓名: _____ 电话: _____ 地址: _____
商品: _____ 型号: _____ 购买日期: _____ 年 ____ 月 ____ 日

维修记录栏 (由维修员填写)	维修员签名	日期

注意事项:

1. 本单为保修凭证, 请用户妥善保管, 如有遗失, 恕不保修或退换。
2. 保修期限制: 购买之日起十二个月内。
3. 除了不可抗力事件损坏外, 由本公司负责, 免费维修。
4. 如属保管不善或使用不当造成的损坏, 维修点将酌情收费。
5. 擅自拆卸维修者, 不予保修。
6. 以上保修条款仅限于中国市场适用 (不含港澳台地区)。

◆ 广东得胜电子有限公司 ◆ 电话: 400-6828-333 ◆ 地址: 广东省惠州市博罗县龙溪街道富康一路2号



扫一扫，了解更多产品
Scan for more
product information

广东省电声工程技术研究开发中心 广东得胜电子有限公司制造

地址：广东省惠州市博罗县龙溪街道富康一路2号

服务热线：400 6828 333 传真：0752 6383950

邮箱：xs@takstar.com

网址：www.takstar.com

Guangdong Takstar Electronic Co., Ltd.

Address: No. 2 Fu Kang Yi Rd., Longxi Boluo
Huizhou, Guangdong 516121 China

Tel: 86 752 6383644 Fax: 86 752 6383952

Email: sales@takstar.com

Website: www.takstar.com